

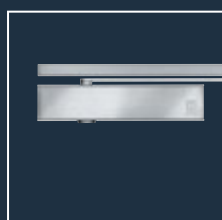
# ECO **Newton** TS-61



## Product information



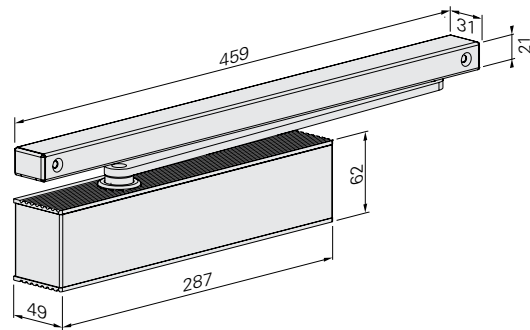
### ■ SYSTEM TECHNOLOGY FOR THE DOOR



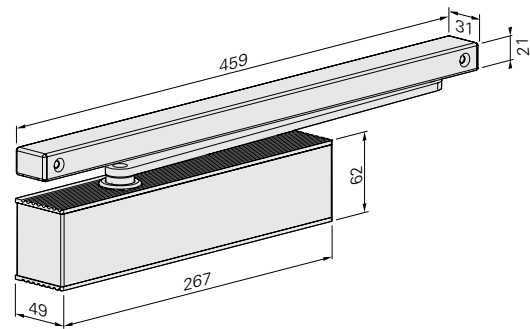
**Product characteristics**

Closing force (continuously adjustable)	Size acc. to EN	2- 5	6
		<b>F</b>	
Door width	≤ 1.250 mm	■	■
acc. to EN	≤ 1.400 mm	-	■
Dimensions (incl. mounting plate)	Length in mm	287	267
	Depth in mm	49	49
	Height in mm	62	62
Mounting plate acc. to EN 1154 A (supplementary sheet 1)		■	■
Hinge-side and hinge-opposite side		□	□
DIN left / right		■	■
Latching speed (continuously adjustable)		■	■
Closing speed (continuously adjustable)		■	■
Back-check (continuously adjustable)		■	■
Delayed action (continuously adjustable)		□	□
Tested acc. to EN		<b>EN 1154 A</b>	
Suitable for fire- and smoke control doors		<b>F</b>	
Certified according to EU-Directive		<b>CE</b>	

- Yes
- No
- Option

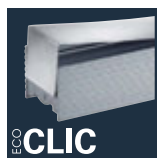
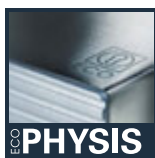


Dimensions: TS-61 (2 - 5)



Dimensions: TS-61 (6)

**ECO Newton TS-61 ■ Highlights at a glance**



Details regarding the ECO Newton Highlights can be found in the intro of this chapter.



Body: Silver RAL 9006  
ECOcllic: Stainless steel polished or satin



Body + ECOcllic: White RAL 9016



Body + ECOcllic: Black RAL 9005



Body + ECOcllic: Brown RAL 8014

Slide rail and arm are always delivered in the same colour as the ordered door closer body.

# Order information

## ECO Newton TS-61 ■ Door closer with slide rail

### Product information

Closing force 2- 5 (5-6), tested acc. to **EN 1154 A** (for door width up to 1.250 mm (1.400 mm) continuously adjustable. Latching speed, closing speed and back-check continuously adjustable. **Delayed action as option.** Same version DIN left and DIN right. Mounting height with mounting plate only 49 mm. Door opening angle: 180°

- ECOunity: The ECO Newton closer portfolio covers all door dimensions with only two basic closer units.
- ECOphysis: Door closer and slide rail build a unit in aluminium and stainless steel
- ECOclic: The stainless steel cover encloses the aluminium body with the power of spring steel and conceals all of the adjusting elements, thus securing the closer against unauthorized access.
- ECOMount: Mounting plate according to **EN 1154** is completely covered by the door closer
- ECOvalve: Simple, high-precision and permanently secure adjustment of all parameters of the closing process with one conventional Allen key.
- ECOgreen: The intelligent construction and carefully planned use of materials help considerably to save resources
- ECOcover<sup>2</sup>: Optional stainless steel cover for the ECO Newton door closers and related slide rails. Please order the lever arm in stainless steel look for the perfect overall appearance.
- ECOline: The mounted slide rail and door closer are flush when the door is closed. The colours of all materials are perfectly matched - right down to the end caps of the slide rail.
- ECOvario: Permits the use of all slide rail door closers and can even be combined with different door leaf widths. In this way, optimum value for money can be achieved for each individual door situation.

Delivery with slide rail B and mounting plate as standard.





## ECO Newton Highlights in detail.

### Two units for the entire building

The ECO Newton closer portfolio covers all door dimensions with only two basic closer units. In addition to this, end-mounted valve technology permits the mounting of the same closer on the hinge- and hinge-opposite side (TS-31/41).

# Hinge side

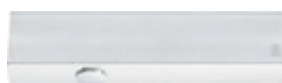
## Without delayed action

### TS-61 B (5-6)



Hinge side slide rail B			Hinge side without slide rail		
Article number	Colour	Article number	Colour	Article number	Colour
TS-61 B (5-6)	Silver RAL 9006*	306153CB1A01010	TS-61 B (5-6)	Silver RAL 9006*	356153CB1A00010
TS-61 B (5-6)	White RAL 9016	306153CB3E01010	TS-61 B (5-6)	White RAL 9016	356153CB3E00010
TS-61 B (5-6)	Brown RAL 8014	306153CB3D01010	TS-61 B (5-6)	Brown RAL 8014	356153CB3D00010
TS-61 B (5-6)	Black RAL 9005	306153CB3G01010	TS-61 B (5-6)	Black RAL 9005	356153CB3G00010

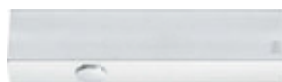
### TS-61 B (2-5)



Hinge side slide rail B			Hinge side without slide rail		
Article number	Colour	Article number	Colour	Article number	Colour
TS-61 B (2-5)	Silver RAL 9006*	306153AB1A01010	TS-61 B (2-5)	Silver RAL 9006*	356153AB1A00010
TS-61 B (2-5)	White RAL 9016	306153AB3E01010	TS-61 B (2-5)	White RAL 9016	356153AB3E00010
TS-61 B (2-5)	Brown RAL 8014	306153AB3D01010	TS-61 B (2-5)	Brown RAL 8014	356153AB3D00010
TS-61 B (2-5)	Black RAL 9005	306153AB3G01010	TS-61 B (2-5)	Black RAL 9005	356153AB3G00010

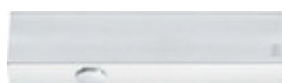
## With delayed action

### TS-61 B-SV (5-6)



Hinge side slide rail B			Hinge side without slide rail		
Article number	Colour	Article number	Colour	Article number	Colour
TS-61 B-SV (5-6)	Silver RAL 9006*	306154CB1A01010	TS-61 B-SV (5-6)	Silver RAL 9006*	356154CB1A00010
TS-61 B-SV (5-6)	White RAL 9016	306154CB3E01010	TS-61 B-SV (5-6)	White RAL 9016	356154CB3E00010
TS-61 B-SV (5-6)	Brown RAL 8014	306154CB3D01010	TS-61 B-SV (5-6)	Brown RAL 8014	356154CB3D00010
TS-61 B-SV (5-6)	Black RAL 9005	306154CB3G01010	TS-61 B-SV (5-6)	Black RAL 9005	356154CB3G00010

### TS-61 B-SV (2-5)



Hinge side slide rail B			Hinge side without slide rail		
Article number	Colour	Article number	Colour	Article number	Colour
TS-61 B-SV (2-5)	Silver RAL 9006*	306154AB1A01010	TS-61 B-SV (2-5)	Silver RAL 9006*	356154AB1A00010
TS-61 B-SV (2-5)	White RAL 9016	306154AB3E01010	TS-61 B-SV (2-5)	White RAL 9016	356154AB3E00010
TS-61 B-SV (2-5)	Brown RAL 8014	306154AB3D01010	TS-61 B-SV (2-5)	Brown RAL 8014	356154AB3D00010
TS-61 B-SV (2-5)	Black RAL 9005	306154AB3G01010	TS-61 B-SV (2-5)	Black RAL 9005	356154AB3G00010

\*Door closer body in silver RAL 9006, ECOclis stainless steel satin, polished on request

# Hinge-opposite side

## Without delayed action

### TS-61 G (5-6)



Hinge-opposite side slide rail B	Colour	Article number	Hinge-opposite side without slide rail	Colour	Article number
TS-61 G (5-6)	Silver RAL 9006*	306163CB1A01010	TS-61 G (5-6)	Silver RAL 9006*	356163CB1A00010
TS-61 G (5-6)	White RAL 9016	306163CB3E01010	TS-61 G (5-6)	White RAL 9016	356163CB3E00010
TS-61 G (5-6)	Brown RAL 8014	306163CB3D01010	TS-61 G (5-6)	Brown RAL 8014	356163CB3D00010
TS-61 G (5-6)	Black RAL 9005	306163CB3G01010	TS-61 G (5-6)	Black RAL 9005	356163CB3G00010

### TS-61 G (2-5)



Hinge-opposite side slide rail B	Colour	Article number	Hinge-opposite side without slide rail	Colour	Article number
TS-61 G (2-5)	Silver RAL 9006*	306163AB1A01010	TS-61 G (2-5)	Silver RAL 9006*	356163AB1A00010
TS-61 G (2-5)	White RAL 9016	306163AB3E01010	TS-61 G (2-5)	White RAL 9016	356163AB3E00010
TS-61 G (2-5)	Brown RAL 8014	306163AB3D01010	TS-61 G (2-5)	Brown RAL 8014	356163AB3D00010
TS-61 G (2-5)	Black RAL 9005	306163AB3G01010	TS-61 G (2-5)	Black RAL 9005	356163AB3G00010

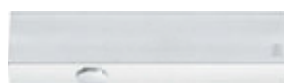
## With delayed action

### TS-61 G-SV (5-6)



Hinge-opposite side slide rail B	Colour	Article number	Hinge-opposite side without slide rail	Colour	Article number
TS-61 G-SV (5-6)	Silver RAL 9006*	306164CB1A01010	TS-61 G-SV (5-6)	Silver RAL 9006*	356164CB1A00010
TS-61 G-SV (5-6)	White RAL 9016	306164CB3E01010	TS-61 G-SV (5-6)	White RAL 9016	356164CB3E00010
TS-61 G-SV (5-6)	Brown RAL 8014	306164CB3D01010	TS-61 G-SV (5-6)	Brown RAL 8014	356164CB3D00010
TS-61 G-SV (5-6)	Black RAL 9005	306164CB3G01010	TS-61 G-SV (5-6)	Black RAL 9005	356164CB3G00010

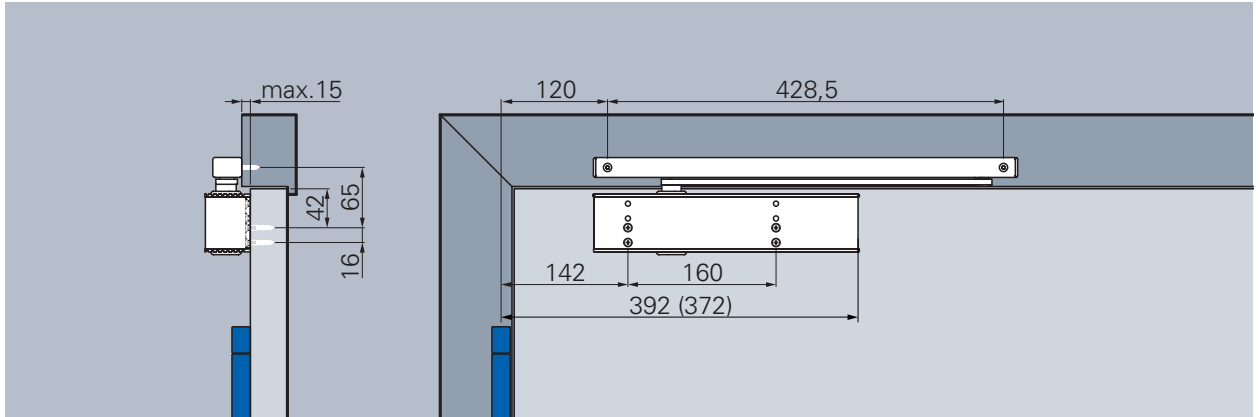
### TS-61 G-SV (2-5)



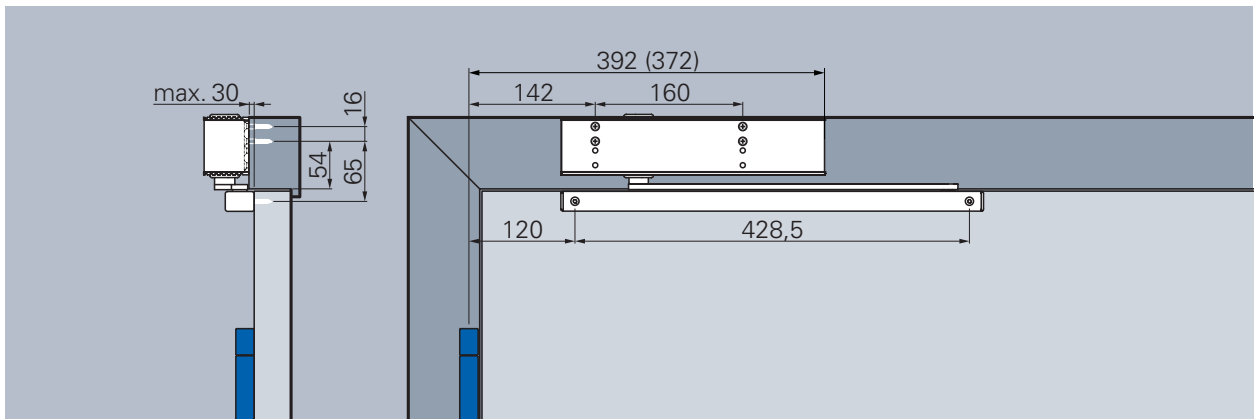
Hinge-opposite side slide rail B	Colour	Article number	Hinge-opposite side without slide rail	Colour	Article number
TS-61 G-SV (2-5)	Silver RAL 9006*	306164AB1A01010	TS-61 G-SV (2-5)	Silver RAL 9006*	356164AB1A00010
TS-61 G-SV (2-5)	White RAL 9016	306164AB3E01010	TS-61 G-SV (2-5)	White RAL 9016	356164AB3E00010
TS-61 G-SV (2-5)	Brown RAL 8014	306164AB3D01010	TS-61 G-SV (2-5)	Brown RAL 8014	356164AB3D00010
TS-61 G-SV (2-5)	Black RAL 9005	306164AB3G01010	TS-61 G-SV (2-5)	Black RAL 9005	356164AB3G00010

# Hinge side

Mounting with slide rail B, illustration DIN left-door, DIN right laterally reversed



Standard mounting with slide rail B, hinge side



Head mounting with slide rail B, hinge side

## Closing speed

Continuously adjustable closing speed from approx. 180° to 0°.

## Latching speed

Increases the closing speed and thus the safe closing of the door, for example to overcome door seals, door locks and high air pressure. Continuously adjustable, works between 10 to 0°.

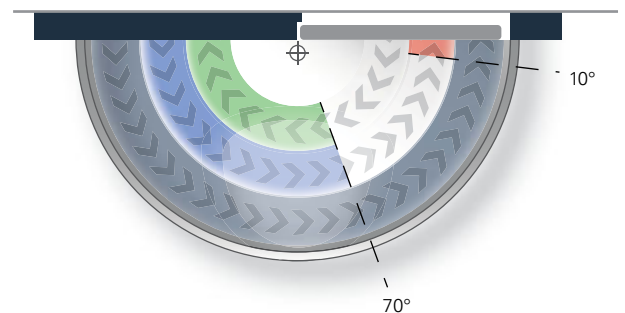
## Back-check

Reduces the opening speed starting at 70° and avoids the slamming of the door. Back-check continuously adjustable

## Delayed action (as option)

Reduces the closing speed and allows a safer passing for people and transports. Especially suitable for the use in nursing homes and hospitals. Delay action continuously adjustable. Works between 180° to 70°.

Closing force diagram ECO Newton TS-61, hinge side



### Closing force:

**Continuously adjustable** min. size 5  
TS-61 (5-6) max. size 6

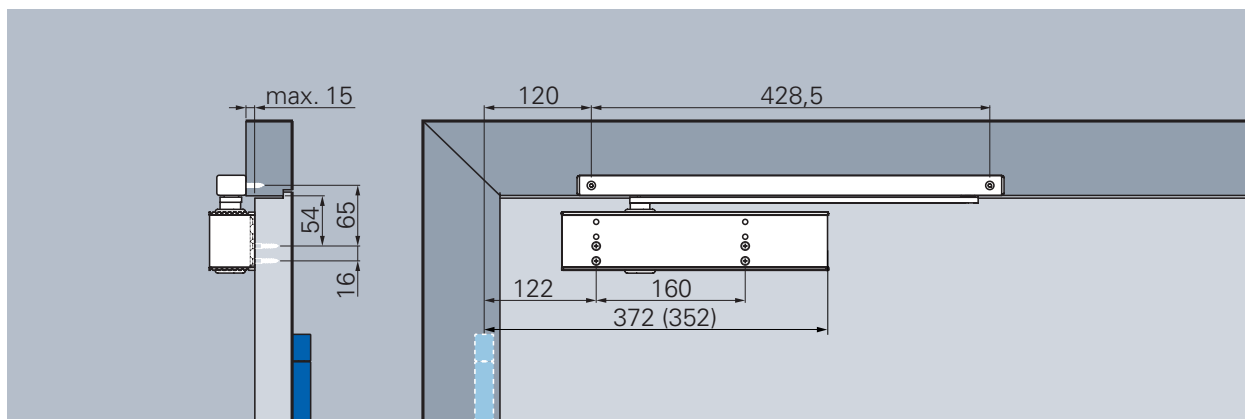
or

**Continuously adjustable** min. size 2  
TS-61 (2-5) max. size 5

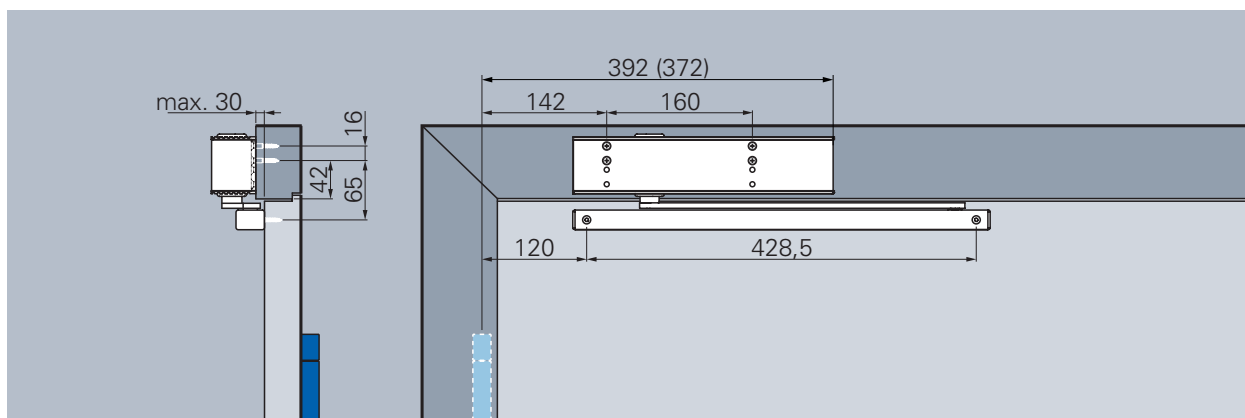
**Default delivery condition:** size 3

# Hinge-opposite side

Mounting with slide rail B, illustration DIN right-door, DIN right laterally reversed



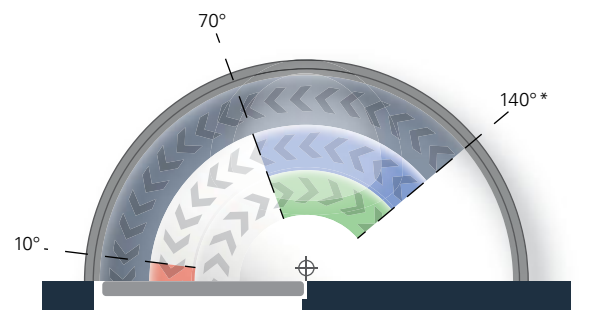
Standard mounting with slide rail B, hinge-opposite side



Head mounting with slide rail B, hinge-opposite side

- Closing speed**  
 Continuously adjustable closing speed from approx. 140° to 0°.
- Latching speed**  
 Increases the closing speed and thus the safe closing of the door, for example to overcome door seals, door locks and high air pressure. Continuously adjustable, works between 10 to 0°
- Back-check**  
 Reduces the opening speed starting at 70° and avoids the slamming of the door. Back-check continuously adjustable
- Note!**  
**Back-check out of order for head-mounting / mounting on hinge-opposite side**
- Delayed action (as option)**  
 Reduces the closing speed and allows a safer passing for people and transports. Especially suitable for the use in nursing homes and hospitals. Delay action continuously adjustable. Works between 140° to 70°.

Closing force diagram ECO Newton TS-61, hinge-opposite side



\*Varies according to door thickness and type of hinge

**A door stopper for opening limit is a must!**



ECO Schulte GmbH & Co. KG  
Iserlohner Landstraße 89  
D - 58706 Menden

Telefon: +49 2373/9276-0  
Fax: +49 2373/9276-40

[info@eco-schulte.de](mailto:info@eco-schulte.de)  
[www.eco-schulte.de](http://www.eco-schulte.de)

© ECO Schulte GmbH & Co. KG - Änderungen vorbehalten  
© ECO Schulte GmbH & Co. KG - Subject to change